

High Back Pressure Foam Generators PFG and PFG-S

General Description

The PFG and PFG-S are foam making units, introducing air into the water/foam liquid solution and thus producing expanded foam. The PFG-S version has a built-in foam liquid inductor.

Application Description

Foam makers are primarily used for subsurface and semi-subsurface foam systems on flammable liquid storage tanks. Other applications are foam inlet heads and pourers at tank tops where aerated foam has to be distributed through a pipeline.

Product Features

- Allows high back pressure, up to 40% of inlet pressure
- Factory calibrated to customer requirements
- Can be installed vertically or horizontally

PFG-S - Additional Features

- Built-in foam inductor
- Suction height up to 2.5 m
- Capable of withstanding counter-pressures up to 40% of inlet pressure

Connections

- Water inlet: flanged to fit DIN PN16 or ANSI 150 lbs
- Foam inlet on PFG-S screw threaded BSP

Optional Components

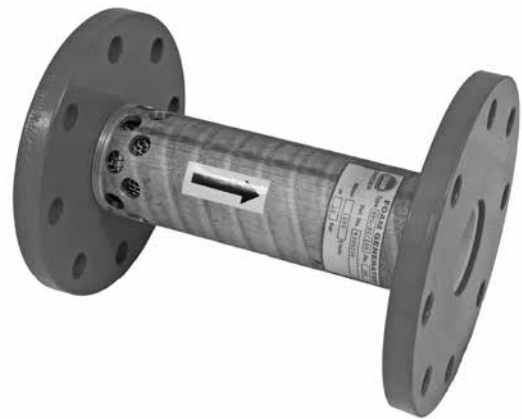
- Foam inlet check valve screw threaded BSP female or hose tail connection
- A number of flanges are available - please enquire
- Units available in other materials on request

Listings or Approvals

- FM approved
- Tanusitvany (Hungary)
- KFSD (Kuwait)



APPROVED

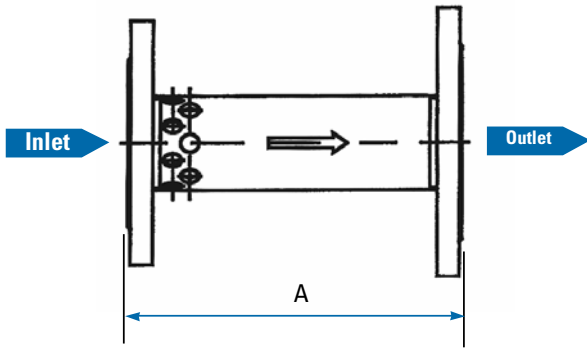


Order Information - Please Specify

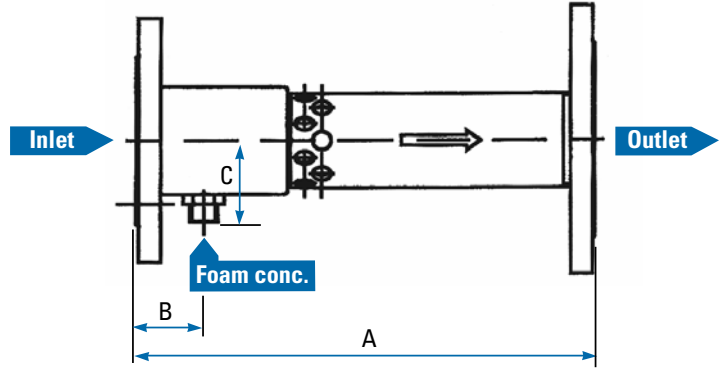
1. Part number
2. Model Size
3. Capacity: flow and pressure
4. Foam induction (S-version)

<u>Part No.</u>	<u>Description</u>
■ 144005107	PFG - 50/80 DIN
■ 144005204	PFG - 50/80 ANSI
■ 144008109	PFG - 80/100 DIN
■ 144008206	PFG - 80/100 ANSI
■ 144010103	PFG - 100/150 DIN
■ 144010203	PFG - 100/150 ANSI
■ 144005508	PFG - 50/80 S DIN
■ 144005609	PFG - 50/80 S ANSI
■ 144008504	PFG - 80/100 S DIN
■ 144008607	PFG - 80/100 S ANSI
■ 144010505	PFG - 100/150 S DIN
■ 144010607	PFG - 100/150 S ANSI

PFG



PFG-S



For dimensions A,B and C please see table below

Performance Data

PFG	50/80	50/80 S	80/100	80/100 S	100/150	100/150 S
■ Solution capacity	100-750 l/min 27-198 USGPM		750-1,400 l/min 198-370 USGPM		1,400-2,400 l/min 370-634 USGPM	
■ Dimensions A	208 mm	275 mm	278 mm	355 mm	352 mm	475 mm
■ Dimensions B		40 mm		60 mm		69 mm
■ Dimensions C		42 mm		52 mm		63 mm
■ Connection, Inlet	50 DIN PN 16 or 2" ANSI 150 lbs		80 DIN PN 16 or 3" ANSI 150 lbs		100 DIN PN 16 or 4" ANSI 150 lbs	
■ Connection, Outlet	80 DIN PN 16 or 3" ANSI 150 lbs		100 DIN PN 16 or 4" ANSI 150 lbs		150 DIN PN 16 or 6" ANSI 150 lbs	
■ Connection, Foam Concentrate		Male 3/4" BSP		Male 1" BSP		Male 1" BSP
■ Induction, Foam Concentrate		Max 6%		Max 6%		Max 6%
■ Foam Expansion Ratio	Approx. 3:1		Approx. 3:1		Approx. 3:1	
■ Maximum Counter Pressure	40% of inlet pressure		40% of inlet pressure		40% of inlet pressure	
■ Working Pressure Range	6 bar / 87 psi to 16 bar / 232 psi		6 bar / 87 psi to 16 bar / 232 psi		6 bar / 87 psi to 16 bar / 232 psi	
■ Material: Body	Bronze					
■ Material: Nozzel / Diffuser	Polypropylene					
■ Material: Flange	Primer and Red 2-Component Painted Steel					
■ Weight	10 kg / 22 lbs.	11 kg / 24 lbs.	14 kg / 31 lbs.	16 kg / 35 lbs.	22 kg / 49 lbs.	25 kg / 55 lbs.

*Depending on foam concentrate type

www.skum.com

System in Operation

