

Fog/Jet Monitor Portable FJM-80 P/PO

General Description

The FJM-80 monitor range offers a portable fog/jet solution for foam/water discharge with exceptional performance characteristics. The monitor can be equipped with various types of nozzles.

The monitor bodies are constructed from stainless steel, keeping weight to a minimum whilst ensuring durability and reliability.

Application Description

The portable FJM range is ideal for fast response to fire incidents involving flammable liquid spills and vapour suppression. The FJM is designed to deliver an optimised jet stream or fog pattern of water or foam.

Product Features

- Wide capacity range
- Adjustable flow and pattern
- Compact, balanced design
- Low weight
- Easily manoeuvrable due to low friction bearings
- Long throw length
- Corrosion resistant construction materials
- Maximum working pressure 8 bar
- Bureau Veritas approved

Optional Components

- Dual connection
- Automatic oscillation
- Built-in foam inducing nozzle



Order Information - Please Specify

1. Part number
2. Type
3. Connection type
4. Capacity: flow and pressure (optional)
5. Foam induction (S-version)

<u>Part No.</u>	<u>Description</u>
■ 160808129	FJM-80 P 3" BSP
■ 160808228	FJM-80 PO 3" BSP
■ 160808325	FJM-80 S P 3" BSP, excl. Suction hose
■ 160808367	FJM-80 S PO 3" BSP, excl. Suction hose
■ 161008618	Suction hose 1¼" 3 m
■ 190876322	2½" Dual Connection for portable monitors

Performance Data

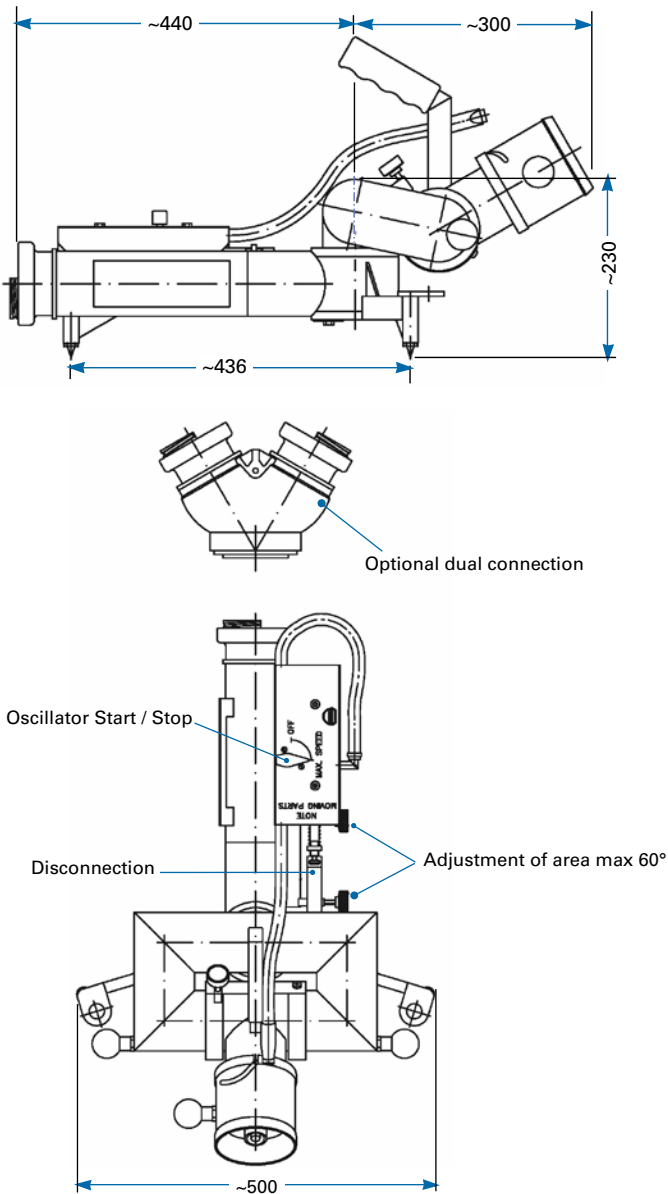
	FJM-80 PO	FJM-80 P
■ Water capacity	min 500 l/min - max 3,000 l/min	max 3,000 l/min
■ Oscillating	60° (disconn. 220°)	220°
■ Elevation	+30° to +80° (normal safety)	+30° to +80° (normal safety)
■ Inlet connection	Dual 2 1/2" or single 2 1/2" or 3" BSP (must specify)	Dual 2 1/2" or single 2 1/2" or 3" BSP (must specify)
■ Material	Stainless steel and bronze	Stainless steel and bronze
■ Surface treatment	Primer and red 2-component paint	Primer and red 2-component paint
■ Net weight, approx.	14 kg / 31 lbs	11 kg / 24 lbs
■ Nozzle	Manually adjustable from jet to fog	Manually adjustable from jet to fog
■ Slide bearings	Water balanced for rotation and elevation	Water balanced for rotation and elevation

Note: The nozzle can be easily adjusted on site for any specified capacity and pressure within its working range, according to separate adjustment table.

1 bar = 0.1 MPa = 14.5 psi

Reaction force (N) = 0.233 x Q (l/min) x √p (bar)

FJM-80 PO



FJM-80 P

