

# OFG-GIH Over the Top Foam Generators

## Description

SKUM OFG-GIH Over the Top Foam Generators are installed on the top edge of the wall of liquid storage tanks. They produce and inject foam through the internal tank wall in the floating roof rim seal.

SKUM OFG-GIH Over the Top Foam Generators are air-aspirated foam discharge devices designed to protect flammable liquid storage tanks. They can be used on open top constructions with either a double deck or pontoon type floating roof.

## Features

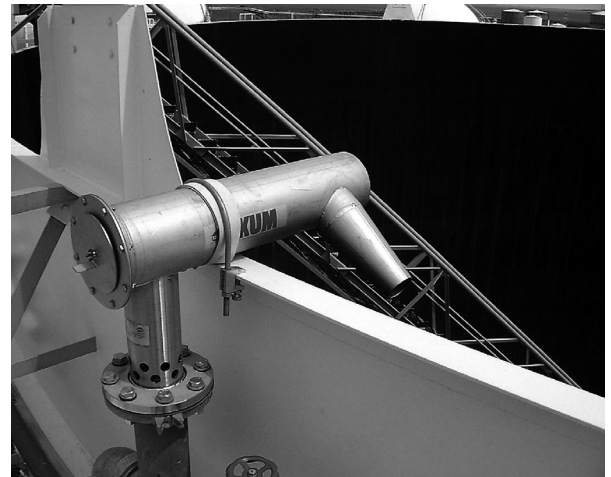
- Stainless steel body
- Hot-dipped galvanised slip on flange
- Standard OFG test outlet
- Factory calibrated to any flow and pressure within the range
- Sizes and capacity fit to NFPA 11 regulations
- Painted red to RAL 3002 in accordance with ISO 14001 and BS OHSAS 18001

## Performance data

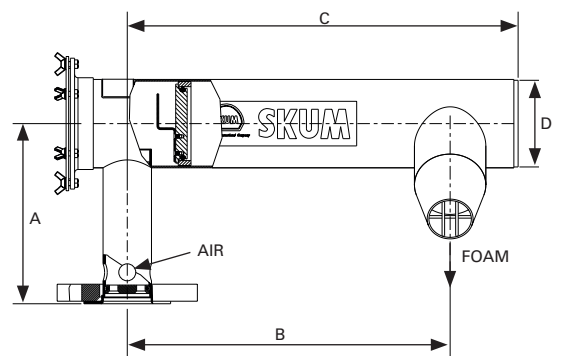
Model	OFG-GIH 50	OFG-GIH 100
<b>Solution capacity</b>	Up to 700 Lpm	700 Lpm to 2000 Lpm
<b>Weight</b>	16 kg	25 kg
<b>Connection</b>	50 DIN PN16 and 2 in. ANSI 150 lb	100 DIN PN16 and 4 in. ANSI 150 lb
<b>Working pressure</b>	4 bar to 16 bar	
<b>Expansion ratio</b>	Up to 4:1, dependent on the foam concentrate type	
<b>Dimensions</b>		
<b>A</b>	212 mm	320 mm
<b>B</b>	380 mm	450 mm
<b>C</b>	460 mm	550 mm
<b>D</b>	104 mm	154 mm
<b>Material</b>		
<b>Body</b>	Stainless steel	
<b>Nozzle</b>	Brass	
<b>Flange</b>	Galvanised steel	
<b>Notes</b>	Dimensions B and C are given as standard length but can be adjusted against tank specifications.	

## Options

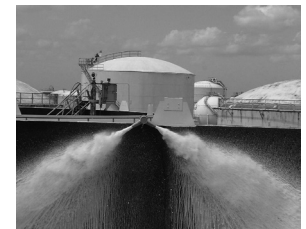
- Complete unit in stainless steel



E000457



E000462



E000459 / E000460

## Ordering information

Specify the following information when ordering:

- Part number
- Capacity flow and pressure

Part number	Description
1413056144	OFG-50 T GIH DIN/ANSI
1413056151	OFG-50 T GIH stainless flanges DIN/ANSI
1413056244	OFG-100 T GIH DIN/ANSI
1413056251	OFG-100 T GIH stainless flanges DIN/ANSI

**Note:** OFG-50 and OFG-100 test plugs are not included.

SKUM, and the product names listed in this material, are marks and/or registered marks. Unauthorized use is strictly prohibited.